

## Coffee System

### Coffee Grinder with Hopper, 0,7 kg, black with medium duty grinder

ITEM # \_\_\_\_\_

MODEL # \_\_\_\_\_

NAME # \_\_\_\_\_

SIS # \_\_\_\_\_

AIA # \_\_\_\_\_


**600656 (E810)**

Single Portion Grinder with one 0,7 kg hopper (grind types: Espresso, Fine, Auto Drip, Drip, Percolator) - medium duty grinder

### Short Form Specification

Item No. \_\_\_\_\_

Coffee grinder with hopper, black color. Fast grind time, suitable for various types of coffee. Compact dimensions for table top configuration.

Powerful motor with circuit breaker and manual on/off switch.

### Main Features

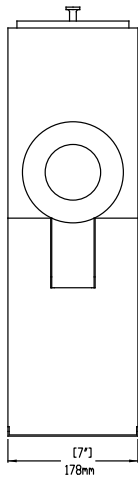
- Easy-to-Follow instructions.
- Available in black finish.
- Automatic Shut-off.
- Ideal for low to medium volume specialty shops, grocery and convenience stores.
- Espresso to percolator grind selection.
- Grind types: Espresso, Fine, Auto Drip, Drip, Percolator.
- How to Operate:
  - 1. Turn the selector knob to the desired grind setting.
  - 2. Fill the hopper with the desired type and amount of whole bean coffee. Close the lid.
  - 3. Place the bag underneath the spout.
  - 4. Press the grinder switch to the ON position.
  - 5. Once coffee is ground, press the grinder switch to the off position or grinder will continuously run.
  - 6. Remove bag from coffee spout once coffee is ground.

### Construction

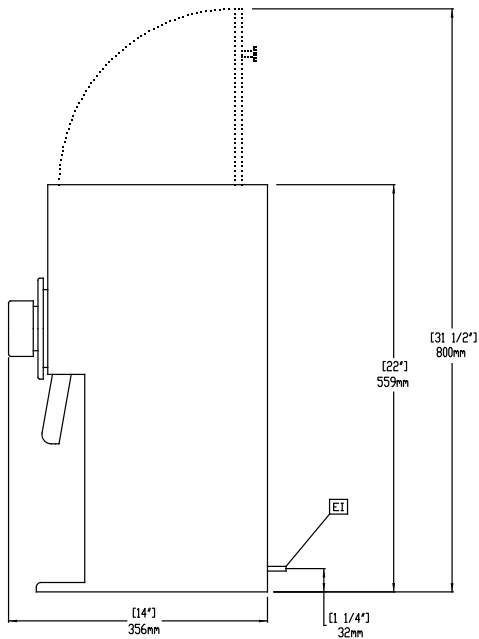
- Compact dimensions for table top configuration.
- Powerful motor with circuit breaker.
- Manual On/Off switch.
- Space saving design - 18cm wide.

APPROVAL: \_\_\_\_\_

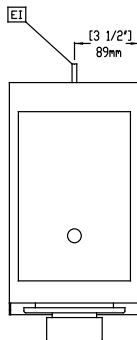
Front



Side



Top



## Electric

Supply voltage:

600656 (E810) 230 V/1N ph/50 Hz

Electrical power max.:

0.8 kW

## Key Information:

External dimensions, Width: 178 mm

External dimensions, Depth: 356 mm

External dimensions, Height: 559 mm

Net weight: 17 kg

Shipping weight: 23.5 kg

Shipping height: 800 mm

Shipping width: 320 mm

Shipping depth: 470 mm

Shipping volume: 0.12 m<sup>3</sup>